

PATIENT SLINGS

WARNING

Use the Take-Along Lifts LLC sling design that is recommended by the individual's doctor, nurse or qualified medical assistant for the comfort and safety of the individual being transferred.

Patient slings work in conjunction with the transfer aid to support the patient during transferring procedures.

Slings attach to the transfer aid by using the sewn-in fasteners.

Each sling offers reinforcing at each hook-on point to ensure patient safety.

Each sling is constructed of durable materials that resist deterioration from exposure to moisture or laundering.

NOTE: Slings are intended for individuals with sufficient upper body control, and do not have a head support.

Model: Split Sling

The split sling is useful for toileting. It can be positioned with the patient already seated. The sling provides access to clothing and under-garments to facilitate toileting. (FIG. 1)

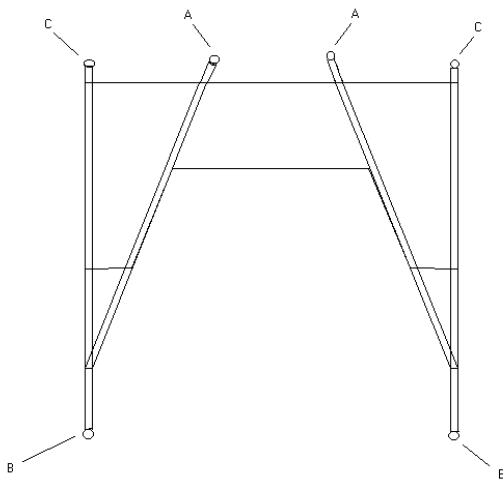


FIG. 1 - Split Sling



Model: Seat Sling

The seat sling does not have an opening at the bottom, and must be positioned underneath the patient. It is not intended for toileting. It is useful for those who prefer a closed bottom, particularly when traveling out of doors. (FIG. 2)

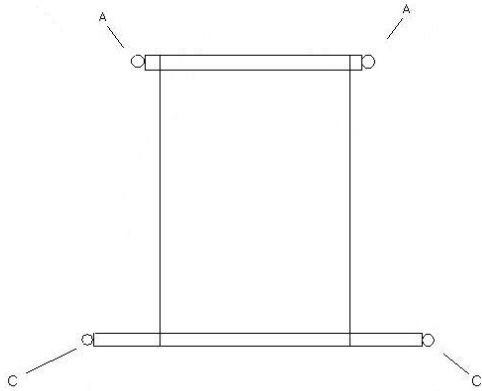


Figure 2 - Seat Sling