

OPERATION

OPERATING THE PATIENT TRANSFER AID

Opening the Legs of the Base Assembly

Two spring plungers mounted in the legs are used to lock the legs in the open position (Fig. 1).

WARNING

The operation of the transfer aid is an easy and safe procedure. DO NOT attempt any transfer without approval of the patient's physician, nurse or qualified medical assistant. Thoroughly read the instructions in this Owner's Manual, and then perform the entire transfer procedure several times with a capable individual acting as patient.

ONLY operate this transfer aid with the legs in MAXIMUM OPEN POSITION and LOCKED in place. The base legs MUST be locked in the open position at all times for stability and patient safety when lifting and transferring a patient.

To avoid the possibility of pinching, use a pen or similar device to depress the spring plungers that lock the legs in position.

1. Stand at the rear of the transfer aid and depress spring plunger #1, then rotate the left leg towards you until spring plunger #1 engages in the locked OPEN position. (Fig 2)
2. Rotate the right leg towards you until spring plunger #2 engages in the locked OPEN position. (Fig. 3)
3. To spread the legs, pull the spreader bar towards you to release it from its locked position. Then swing the bar sideways to spread the legs. Be sure that the bar springs back into a locked position. (Fig. 4)

NOTE: All spring plungers MUST fully extend into their locking notches to lock the legs in the full OPEN position

WARNING

If all spring plungers are NOT positioned completely into their locking notches, DO NOT use the transfer aid until the plungers are all properly seated and the legs of the transfer aid are LOCKED in place or injury and/or damage may occur.

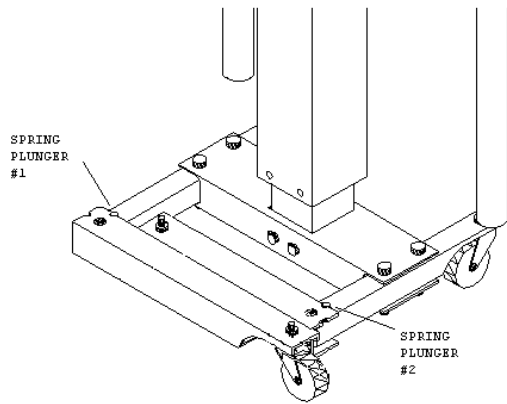


FIG. 1 - Leg Locking Plungers



FIG. 2 - Unfolding Left Leg



FIG. 3 - Unfolding Right Leg

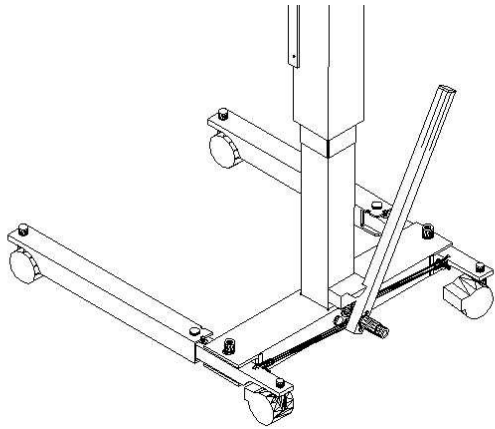


FIG. 4 – Spreader bar in locked position

Opening the arm assembly

1. Position the spreader bar so it is in a mid-position pointing straight up. (Fig 6)



FIG. 6 – PLACE SPREADER BAR IN MID_POSITION

2. Raise the lift column slightly by turning the top crank counter-clockwise to allow clearance for the arms to rotate freely (Fig. 9)
3. Rotate the arms towards you and around 270 degrees until they are resting in their arm supports (Fig 7 & 8).



FIG. 7 - UNLOCKING ARMS



FIG. 8 - ROTATING ARMS

Raising/Lowering Transfer Aid

WARNING

Take-Along Lifts LLC does NOT recommend locking of the casters of the transfer aid when lifting an individual. Doing so could cause the transfer aid to tip and endanger the patient and assistants. Take-Along Lifts LLC does recommend that the casters be left UNLOCKED during transferring procedures to allow the transfer aid to stabilize itself when the patient is initially lifted from a chair, bed or any stationary object.

1. Rotate the crank **COUNTER_CLOCKWISE** to raise the transfer aid. Rotate the crank **CLOCKWISE** to lower the transfer aid (Fig. 9).



FIGURE 9 - RAISING/LOWERING TRANSFER AID

Folding the Transfer Aid

To avoid the possibility of pinching, use a pen or similar device to depress the spring plungers that lock the legs in position.

1. Position the spreader bar so it is in a mid-position pointing straight up.
2. Lift the arms and rotate them past 270 degrees.
3. Swing the spreader bar into the locked position with the legs pointing straight ahead.
4. Depress spring plunger # 2 to release the right leg and rotate it towards the column into the folded position.
5. Roll the Transfer Aid slightly towards you until the caster at the tip of the right leg rotates parallel with the right leg.
6. Depress spring plunger # 1 to release the left leg and rotate it towards the column into the folded position.
7. The Transfer Aid may now be tilted and rolled like a piece of rolling luggage. (Fig 10)



FIGURE 10 - ROLLING FOLDED TRANSFER AID